

NEWPORT BATH

1/2" IN-WALL DIVERTER VALVE

Features

- Solid brass construction.
- 5 function with off.
- Universal 1/2" NPT and direct sweat connections for installation flexibility.
- 16-tooth stem.
- Recommended for use with 3/4" thermostatic valve (1-540).
- Requires Newport Brass Handle Trim (many options available, sold-separately)

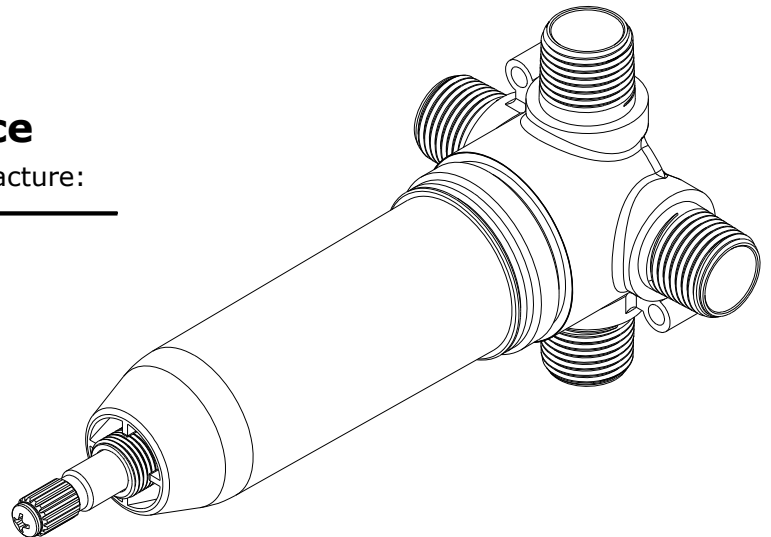
1-702



Codes / Standards Compliance

Meets or exceeds the following at date of manufacture:

- ASME A112.18.1/CSA B125.1-18
- IAPMO/cUPC
- IPC
- California Energy Commission
- All applicable US Federal and State material regulations



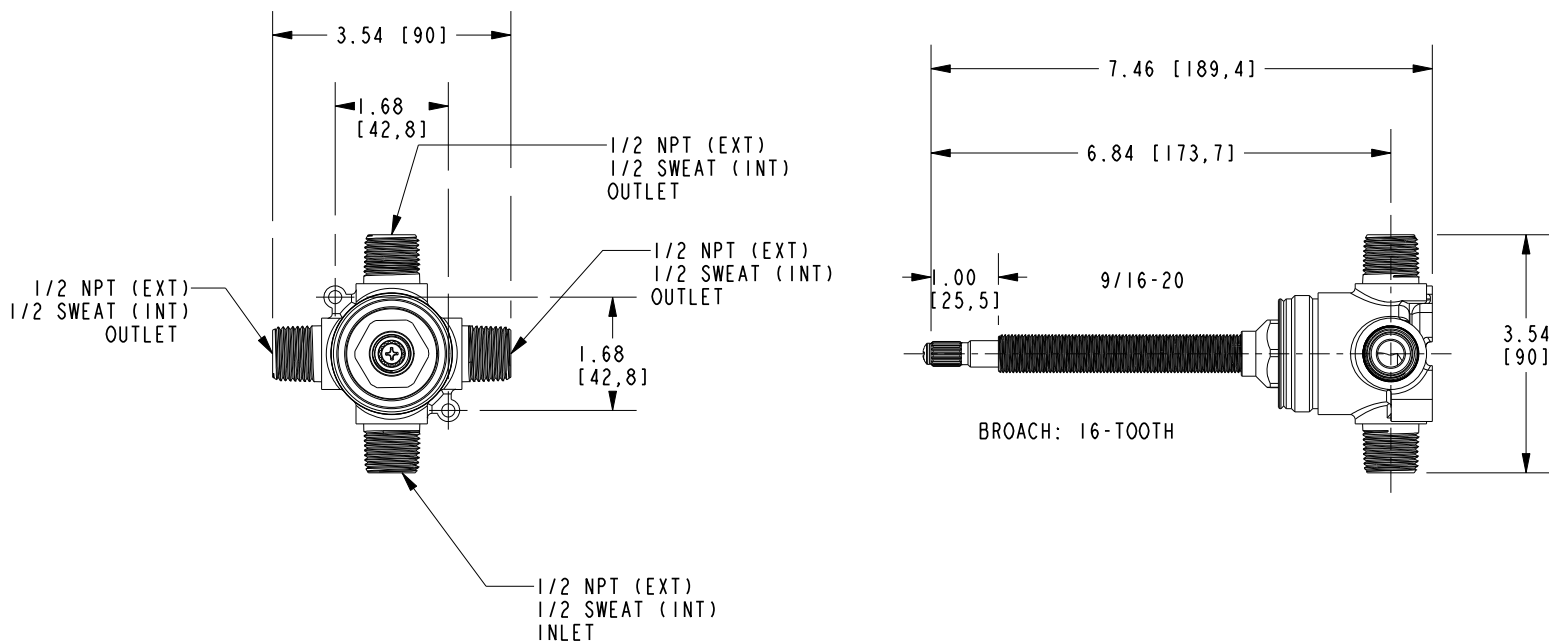
ACCESSORY OPTIONAL

System Element	Stem Extension
Description	Stem Extension Kit
Part Number	1-384
Image	

1-702

PRODUCT DIMENSIONS (Units are in inches)

Product Dimensions are provided for reference only. For specific product installation guidelines, please reference the Installation Instructions of the product being installed.



1/2" IN-WALL DIVERTER VALVE

1-702

Page 2 of 2
EN- 5038
REVC

NEWPORT BRASS
Flawless Beauty. From Faucet to Finish.

t: 949.417.5207 | www.newportbrass.com
©2025 NewportBrass