
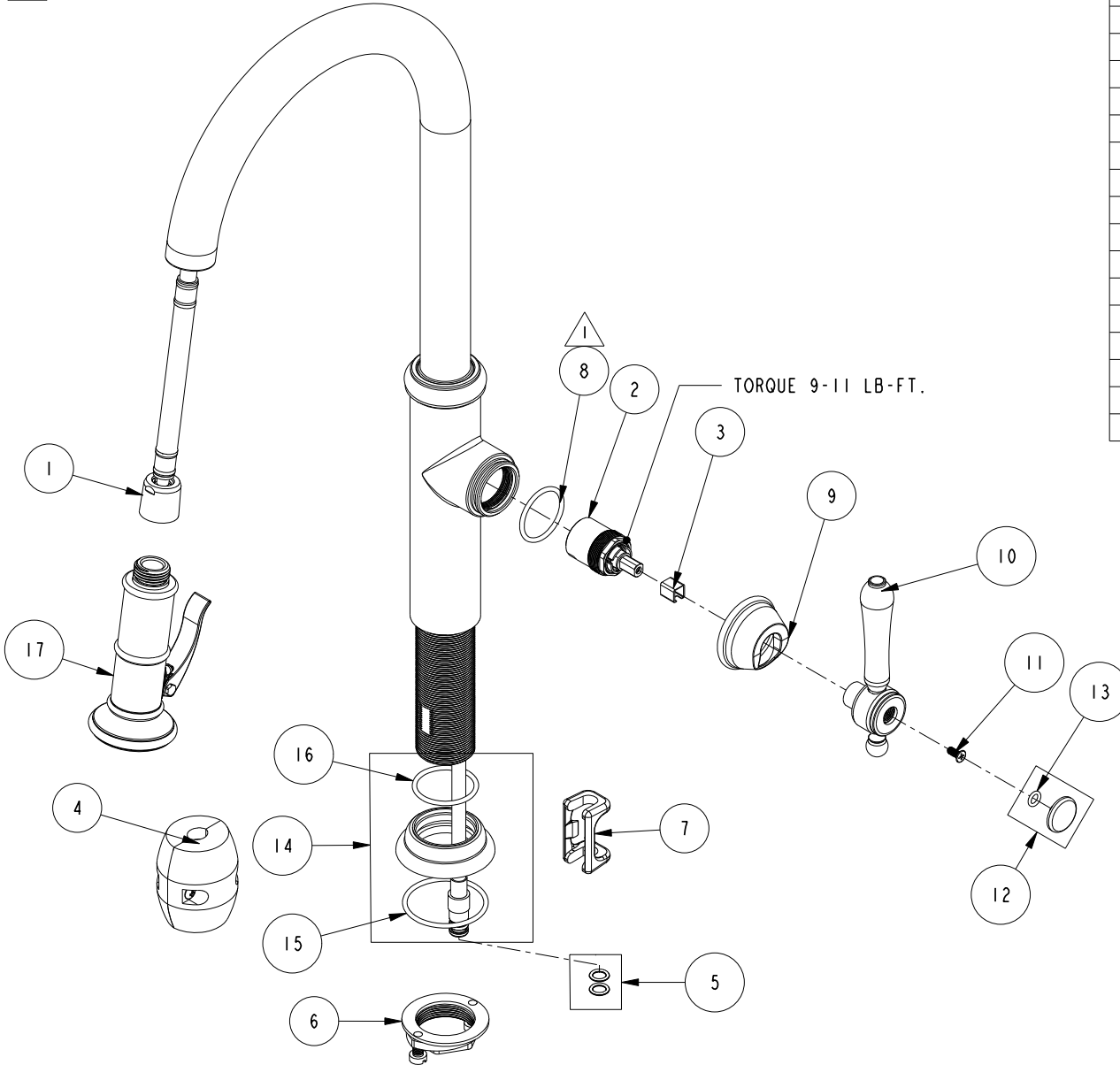


REPLACEMENT PARTS

NOTE:

 USE SILICON GREASE (PART NUMBER 6727) TO LUBRICATE O-RINGS BEFORE INSTALL.



ITEM	PT/ASSY	SPECIFY FINISH	DESCRIPTION
1	11877A		HOSE, PULLDOWN, GREY
2	1-371		CARTRIDGE
3	91534		CARTRIDGE STEM INSERT
4	1-286		WEIGHT ASM
5	1-399		O-RING KIT FOR SPOUT PEX CONECTION
6	1-256		MOUNTING KIT
7	91568		RETAINER CLIP
8	91505		O-RING, #2-123, EPDM, 65-75 DURO
9	13879	YES	HANDLE HUB
10	20-316	YES	HANDLE LEVER ASM
11	92035		SCRW, M4 X .7 X 10 PHL FLT HD SS
12	20-190	YES	CAP ASM
13	91049		O-RING, #2- 010, EPDM, 65-75 DURO, NSF 61
14	20-718	YES	ESCUTCHEON ASM
15	91762		O-RING, #2-132, EP, 50 DURO - GREY
16	91227		O-RING, #2-125 EPDM
17	3-798	YES	CHESTERFIELD SPRAYHEAD SUB

Pull-Down Kitchen Faucet
1030-5173

REV C EN-4936-1 05/28/25

NEWPORT BRASS.

t: 949.417.5207 | www.newportbrass.com