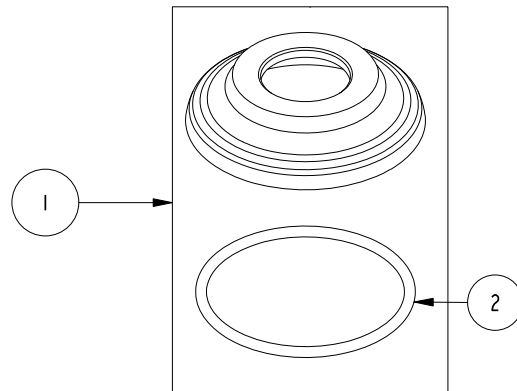
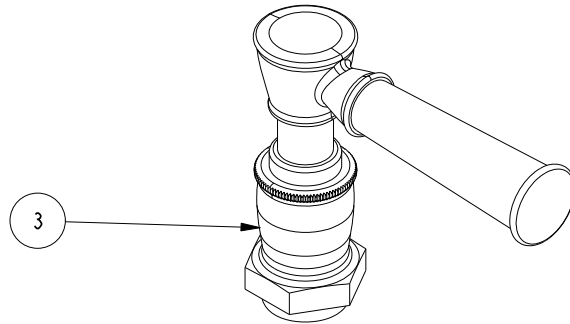


# REPLACEMENT PARTS

ITEM	PT/ASSY	SPECIFY FINISH	DESCRIPTION
1	20-130	YES	ESCUTCHEON ASM
2	91756		O-RING #2-134, EP, 50 DURO - GREY
3	20-115	YES	LEVER HANDLE ASM



LEVER HANDLE W/ESC.  
3-561

REV B EN-4989 05/12/25

**NEWPORT BRASS.**

t: 949.417.5207 | [www.newportbrass.com](http://www.newportbrass.com)