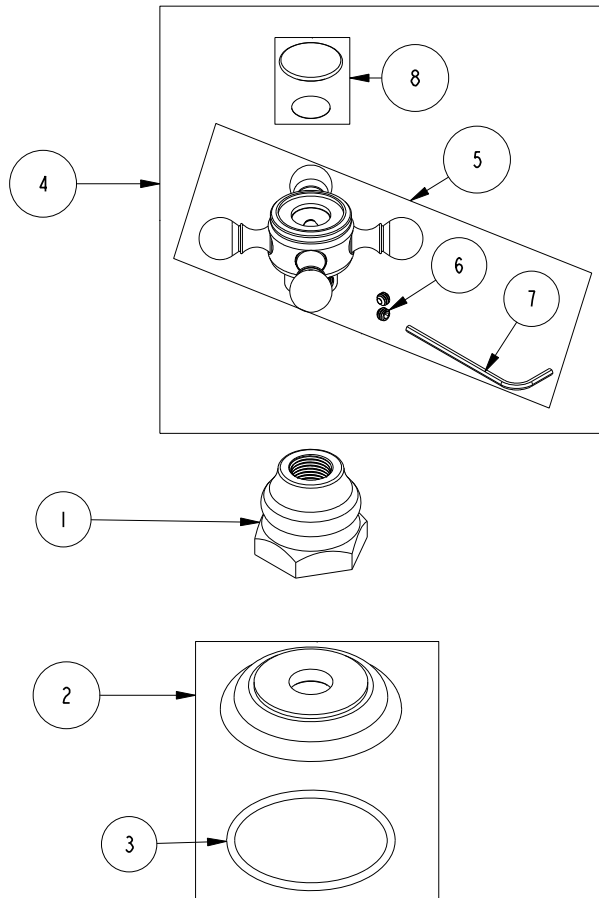


# REPLACEMENT PARTS

ITEM	PT/ASSY	SPECIFY FINISH	DESCRIPTION
1	10523	YES	HEX ESCUTCHEON BONNET
2	20-742	YES	ESCUTCHEON ASM
3	91753		O-RING, # 2-136, EP, 50 DURO - GREY
4	2-268	YES	CROSS HANDLE ONLY - BLANK
5	2-173		CROSS HANDLE ASSEMBLY W/O BUTTON
6	92000		SCREW 8 - 32 X 1/8 SS
7	10192		HEX KEY TOOL, #8 5/64
8	1-110	YES	BUTTON W/ADHESIVE



Cross handle Trim  
3-163B

REV D EN-4989 05/07/25

**NEWPORT BRASS.**

t: 949.417.5207 | [www.newportbrass.com](http://www.newportbrass.com)