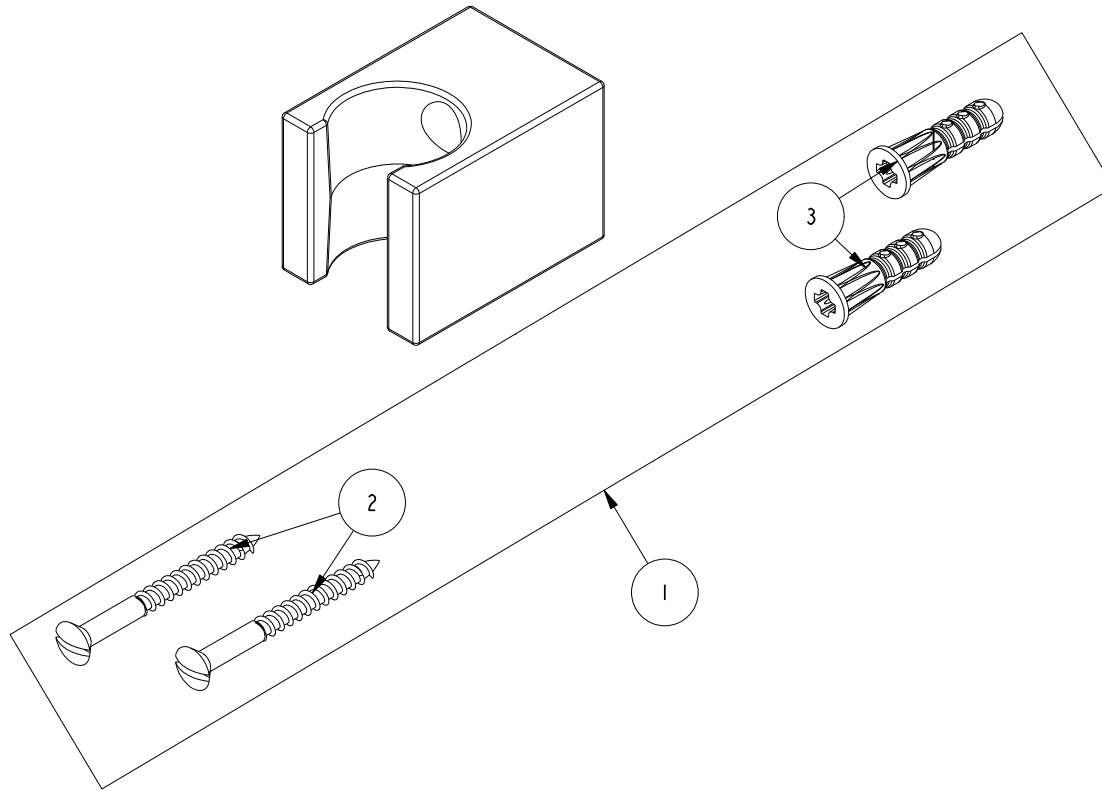


# REPLACEMENT PARTS

| ITEM | PT/ASSY | SPECIFY FINISH | DESCRIPTION                       |
|------|---------|----------------|-----------------------------------|
| 1    | 10-352  |                | SCREW KIT, WALL MOUNT HANDSHOWERS |
| 2    | 92051   |                | SCRW, #8 X 1-3/4 SLT OVL HD BRASS |
| 3    | 91165   |                | WALL ANCHOR PLASTIC               |



WALL MOUNT FOR HAND SHOWER HOSE  
296-1

REV C EN-4998 05/16/25

**NEWPORT BRASS.**

t: 949.417.5207 | [www.newportbrass.com](http://www.newportbrass.com)