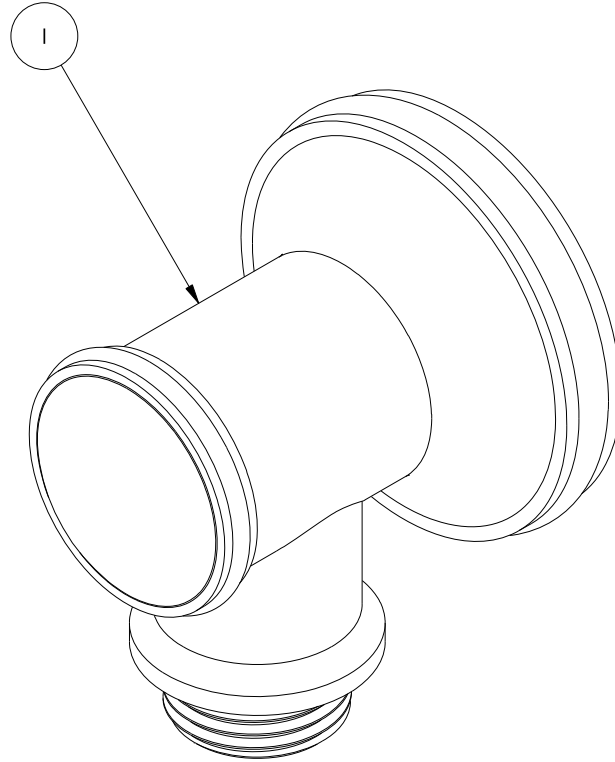


REPLACEMENT PARTS

ITEM	PT/ASSY	SPECIFY FINISH	DESCRIPTION
1	285-3	YES	WALL SUPPLY ELCOW FOR HAND SHOWER



WALL SUPPLY ELBOW FOR HAND SHOWER
285-3

REV C EN-5000-1 07/07/25

NEWPORT BRASS.

t: 949.417.5207 | www.newportbrass.com