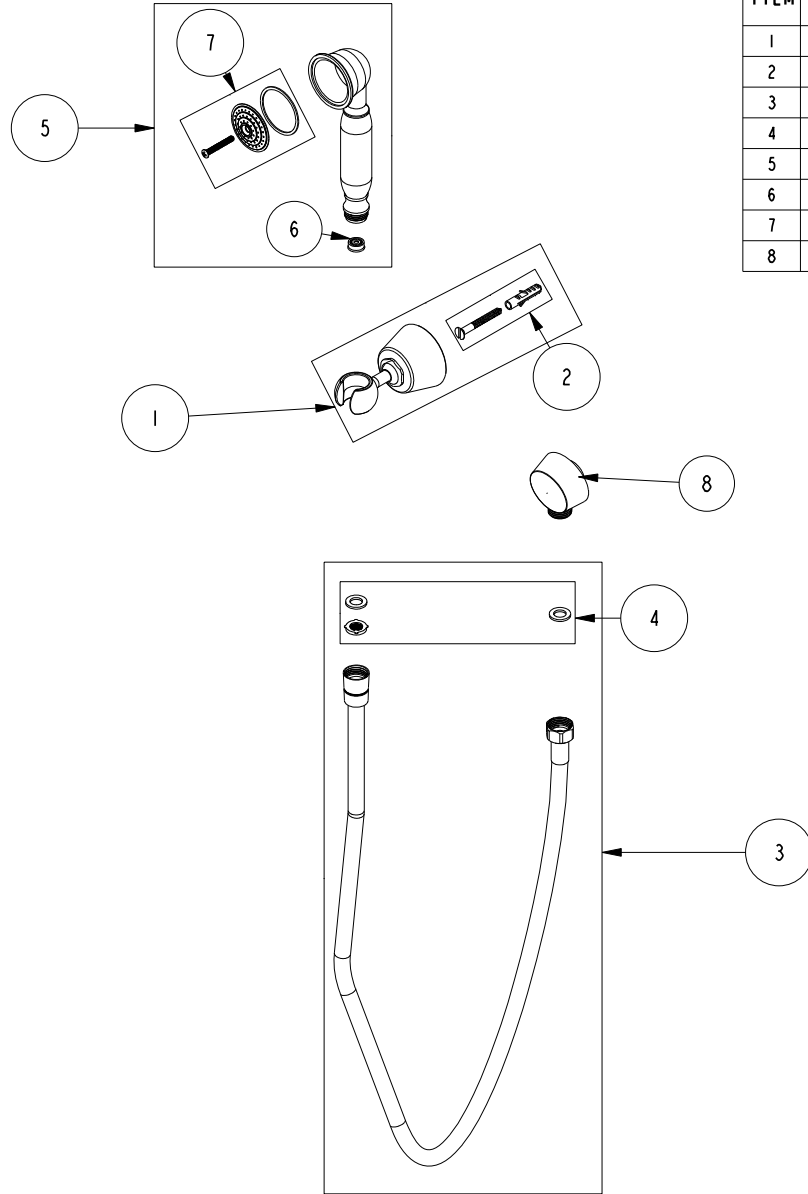


## REPLACEMENT PARTS



ITEM	PT/ASSY	SPECIFY FINISH	DESCRIPTION
1	287	YES	HAND SHOWER HOLDER - WALL MOUNT
2	10-356		WALL ANCHOR, SCREW
3	284	YES	59 IN. SPIRAL SHOWER HOSE
4	10-360		WASHER AND FILTER SCREEN KIT
5	281	YES	SINGLE FUNCTION HAND SHOWER
6	12832		FLOW REGULATOR, 1.8 GPM MAX
7	20-856	YES	FACEPLATE ASSEMBLY
8	285	YES	SUPPLY ELBOW FOR SHOWER

MULTIFUNCTION HAND SHOWER SET  
281A

REV D EN-5053 10/09/25

# NEWPORT BRASS

t: 949.417.5207 | [www.newportbrass.com](http://www.newportbrass.com)