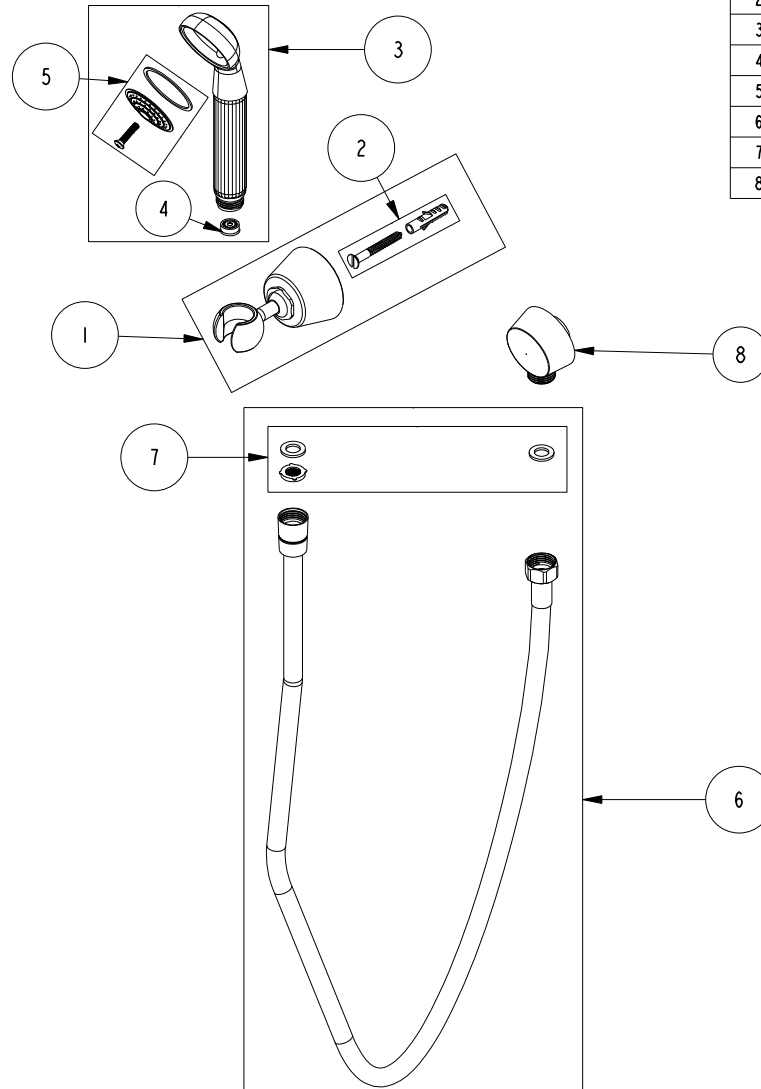


REPLACEMENT PARTS

ITEM	PT/ASSY	SPECIFY FINISH	DESCRIPTION
1	287	YES	HAND SHOWER HOLDER - WALL MOUNT
2	10-356		WALL ANCHOR, SCREW
3	280	YES	SINGLE FUNCTION HAND SHOWER
4	12832		FLOW REGULATOR, 1.8 GPM MAX
5	20-855	YES	FACEPLATE ASSEMBLY
6	284	YES	59 IN. SPIRAL SHOWER HOSE
7	10-360		WASHER AND FILTER SCREEN KIT
8	285	YES	SUPPLY ELBOW FOR SHOWER



HAND SHOWER SET - WALL MOUNT
280A

REV D EN-5053 10/09/25

NEWPORT BRASS

t: 949.417.5207 | www.newportbrass.com