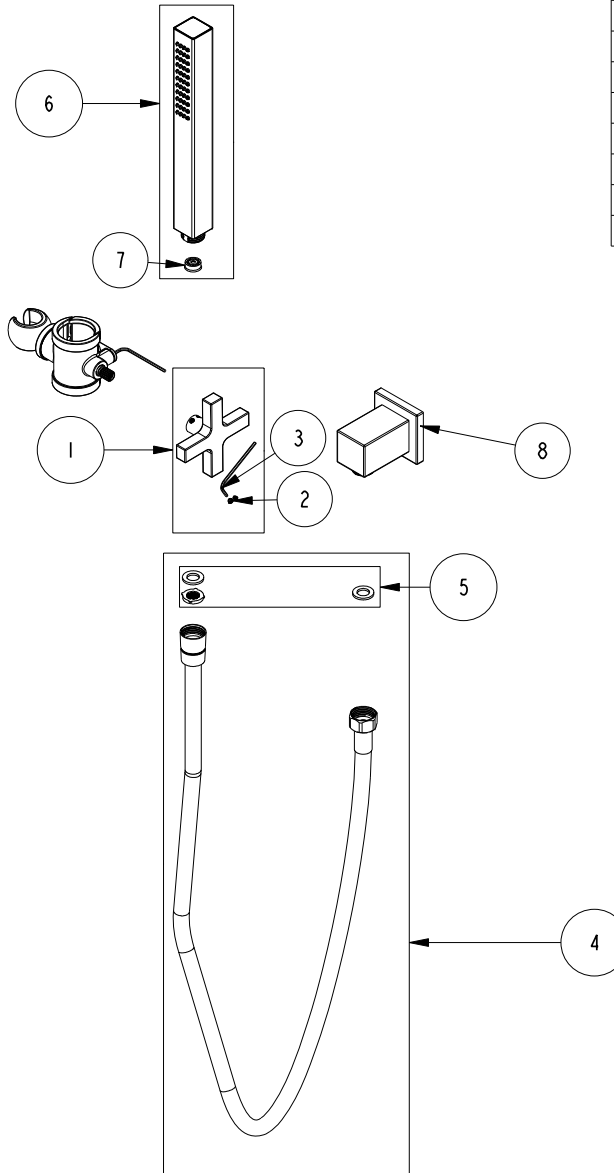


REPLACEMENT PARTS

ITEM	PT/ASSY	SPECIFY FINISH	DESCRIPTION
1	20-406	YES	TANK LEVER
2	92000		SCREW 8 - 32 X 1/8 SS
3	10192		HEX KEY TOOL, #8 5/64
4	284	YES	59 IN. SPIRAL SHOWER HOSE
5	10-360		WASHER AND FILTER SCREEN KIT
6	283-102	YES	SINGLE FUNCTION HAND SHOWER
7	12832		FLOW REGULATOR, 1.8 GPM MAX
8	285-7	YES	CONTP-SUPPLY ELBOW



SHOWER SLIDER KIT FOR GRAB BAR
2040-0442

REV D EN-5007-1 07/07/25

NEWPORT BRASS

t: 949.417.5207 | www.newportbrass.com