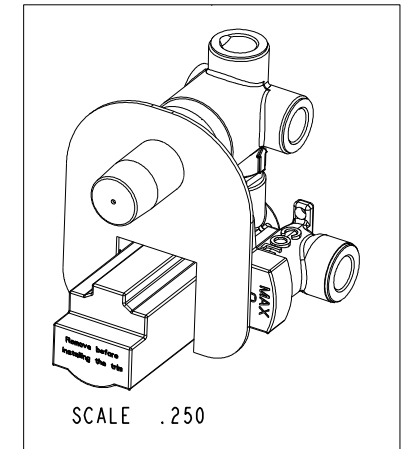
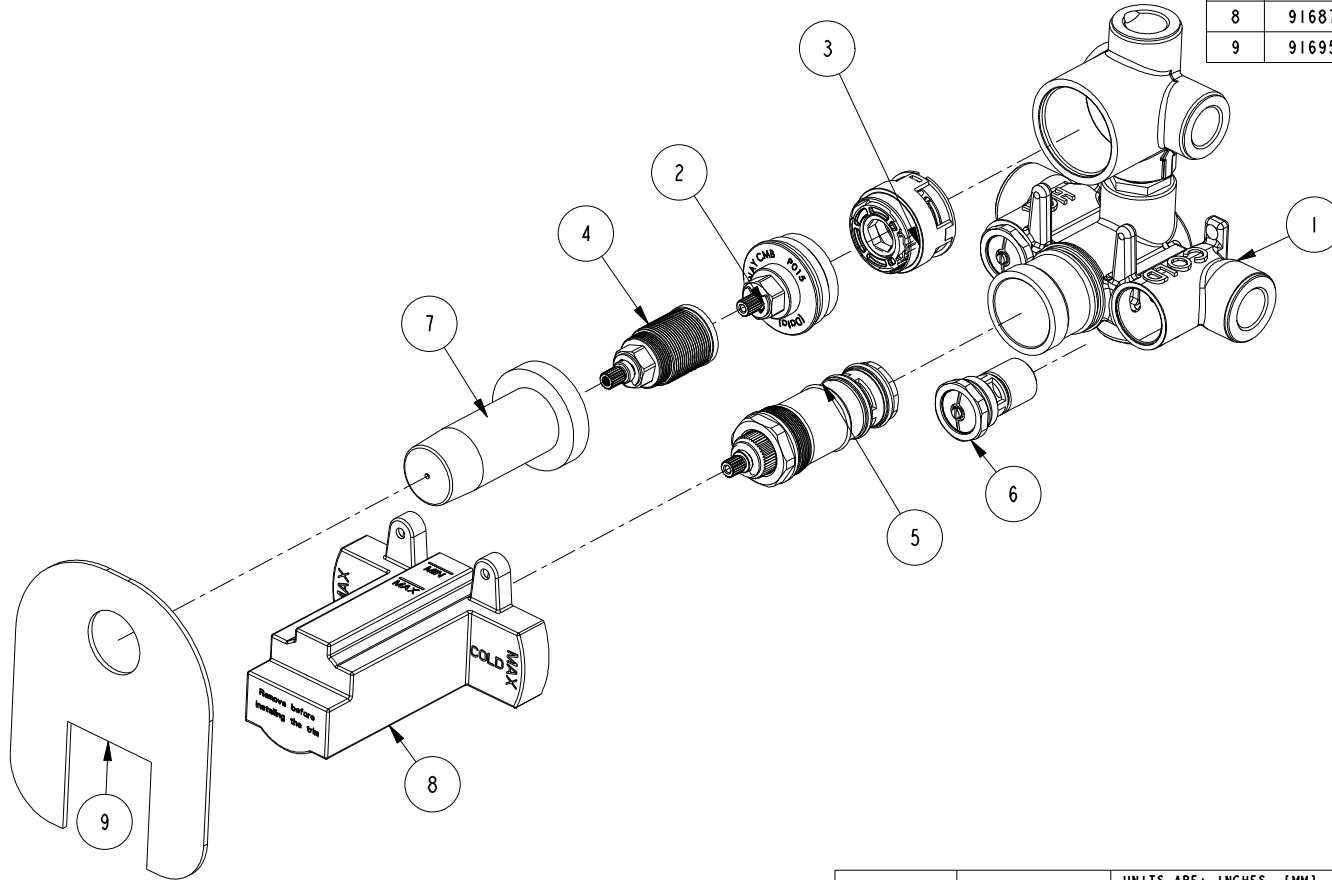


NOTES:

1. TO INSPECT ASSEMBLY, FOLLOW FIRST ARTICLE AND IN PROCESS INSPECTION SHEET.

BILL OF MATERIAL (CURRENT LEVEL)

ITEM	PT/ASSY	DESCRIPTION	TYPE	QTY.
1	1-415	VALVE BODIES 2 WAY DIVERTER	ASSEMBLY	1
2	1-416	DIVERTER VALVE NUT ASM	ASSEMBLY	1
3	1-417	2 WAY DIVERTER CARTRIDGE	ASSEMBLY	1
4	1-343	DIVERTER STEM ADAPTER	ASSEMBLY	1
5	1-338	THERMO CARTRIDGE	ASSEMBLY	1
6	1-103	STOP VALVE ASSEMBLY	ASSEMBLY	2
7	91686	DIVERTER MUD COVER	PART	1
8	91687	THERMO BODY MUD COVER	PART	1
9	91695	FINISHED WALL OPENING TEMPLATE	PART	1



-	A	EN-4300kk	03/24/21	R. S.
-	-	EN-3725	10/10/18	C. G.
ZONE	REV	DESCRIPTION	DATE	APPROVED

COPYRIGHT 2005 BRASSTECH, INC. THESE DRAWINGS AND THE DESIGNS DEPICTED HEREIN ARE THE PROPRIETARY PROPERTY OF BRASSTECH. ANY USE OR REPRODUCTION IS SUBJECT TO THE EXPRESS APPROVAL OF BRASSTECH. UNAUTHORIZED USE IS STRICTLY PROHIBITED. ALL RIGHTS RESERVED.

TESTING	-	-	-
ASSEMBLY	-	-	-
PLATING	-	-	-
POLISHING	-	NEXT ASSY	USED ON
MACHINING	-	APPLICATION	
TOOLING FIXTURE #	REMOVE ALL BURRS AND SHARP EDGES		

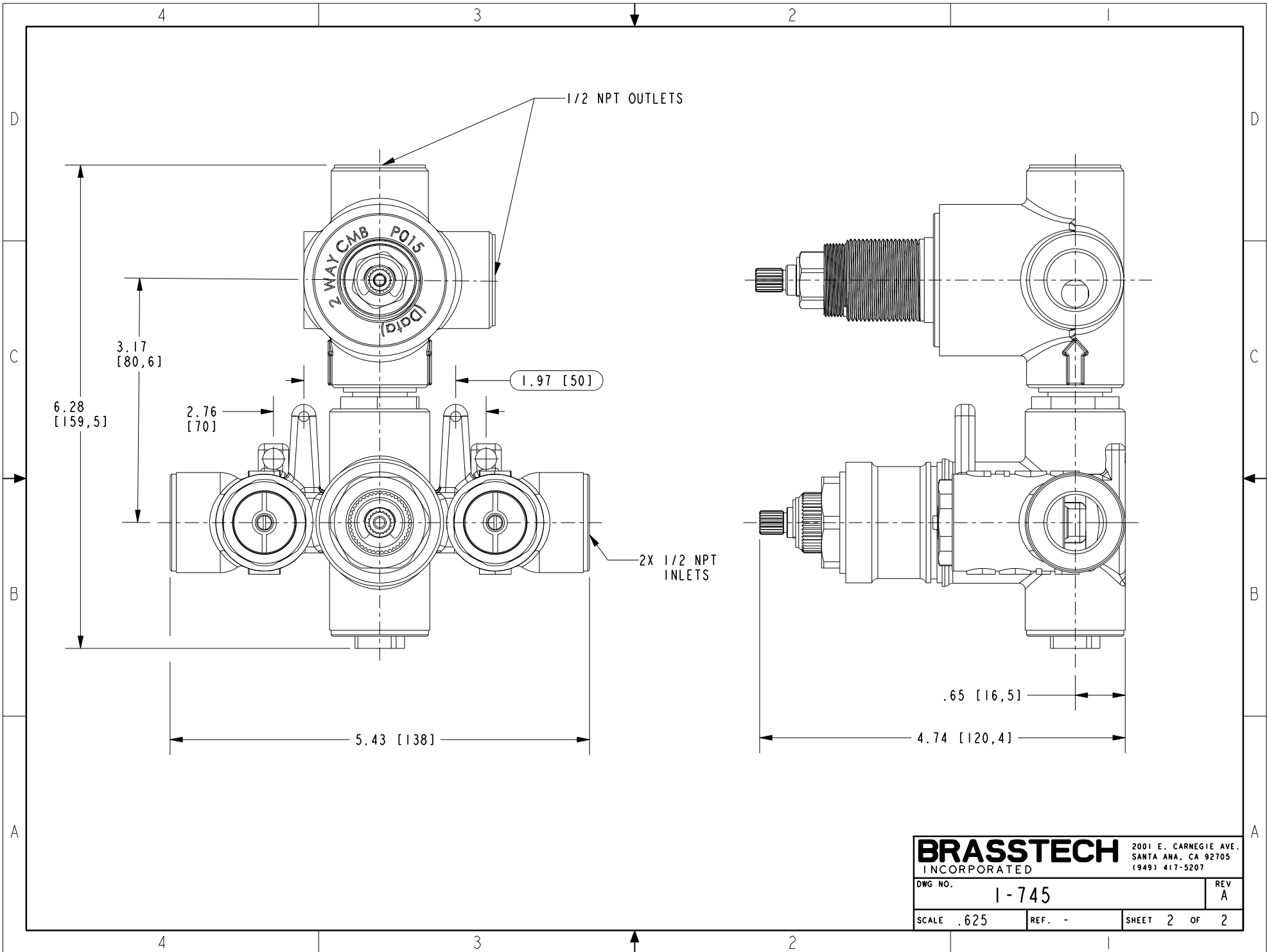
UNITS ARE: INCHES [MM]	
TOLERANCES ARE:	
FRACTIONS	DECIMALS
±1/16"	.X ±.1 [2.5]
	.XX ±.06 [1.5]
ANGLES ±1°	
(X.XXX) DENOTES CRITICAL DIMS.	
ALL THREADS ARE CRITICAL	
DRAWN	C. GAYOSSO 10/10/18
CHECKED	V. VU 10/10/18
APPROVED	V. VU 10/10/18

BRASSTECH 2001 CARNEGIE AVE. SANTA ANA, CA 92705 (949) 417-5207
INCORPORATED

THERMO VALVE ROUGH 1/2" W/DIVERTER 2-PORT SHARE FUNC

DWG NO. 1-745 REV A

SCALE .300 REF. - SHEET 1 OF 2



BRASSTECH		2001 E. CARNEGIE AVE. SANTA ANA, CA 92705 (949) 417-5207	
DWG NO.	1-745	REV	A
SCALE	.625	REF.	-
		SHEET	2 OF 2