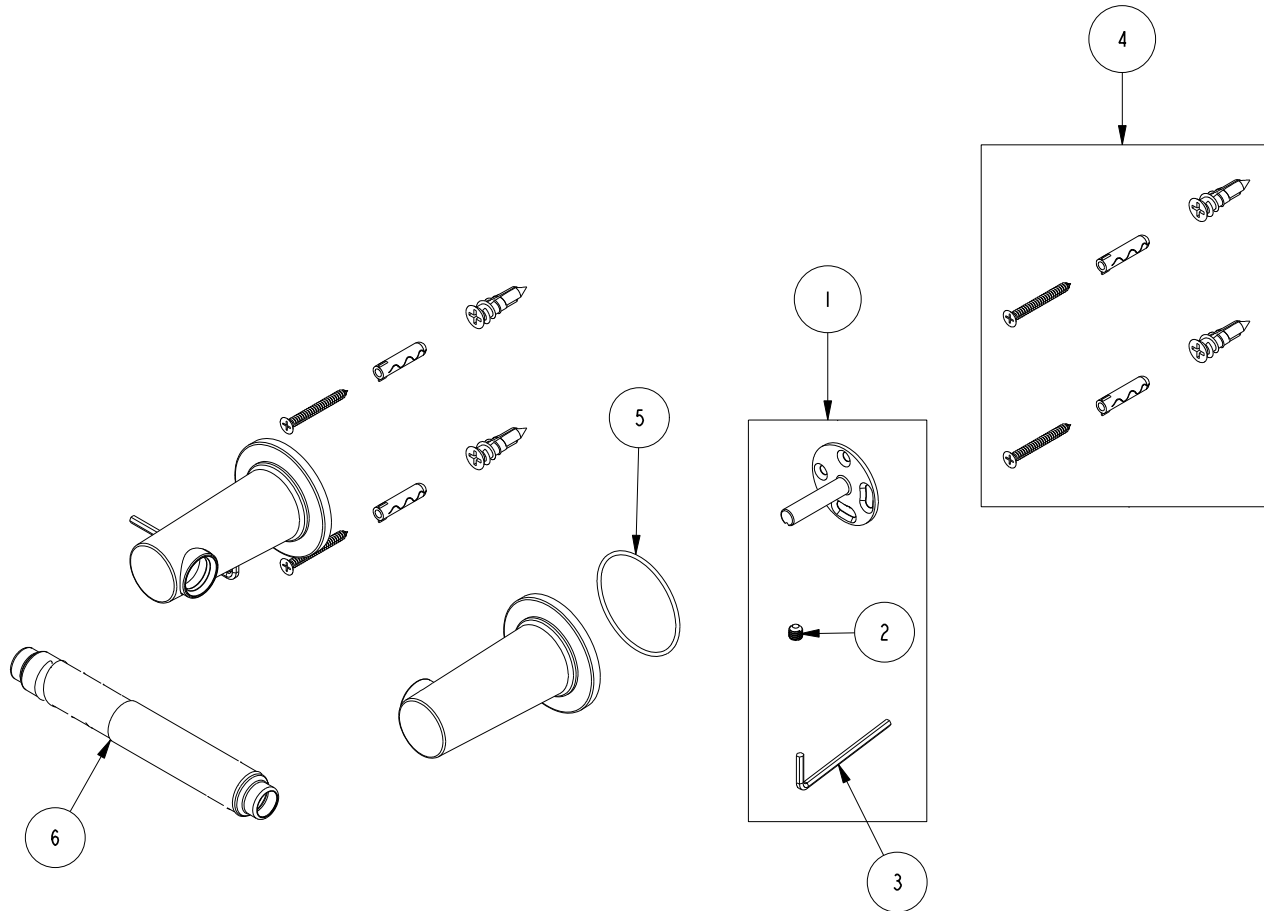


# REPLACEMENT PARTS

ITEM	PT/ASSY	SPECIFY FINISH	DESCRIPTION
1	10-353		WALL MOUNT BRACKET ASM
2	92031		SCRW, M6 X 1 X 6 SKT HD CUP PT SS
3	10615		HEX KEY, 3MM ALLOY STEEL
4	1-206		HARDWARE PACK
5	91758		O-RING, #2-032, EPDM, 50 DURO - GREY
6	2-184	YES	TOILET TISSUE ROLLER ASSEMBLY



TOILET TISSUE HOLDER  
42-28

REV B EN-5022 06/12/25

**NEWPORT BRASS.**

t: 949.417.5207 | [www.newportbrass.com](http://www.newportbrass.com)