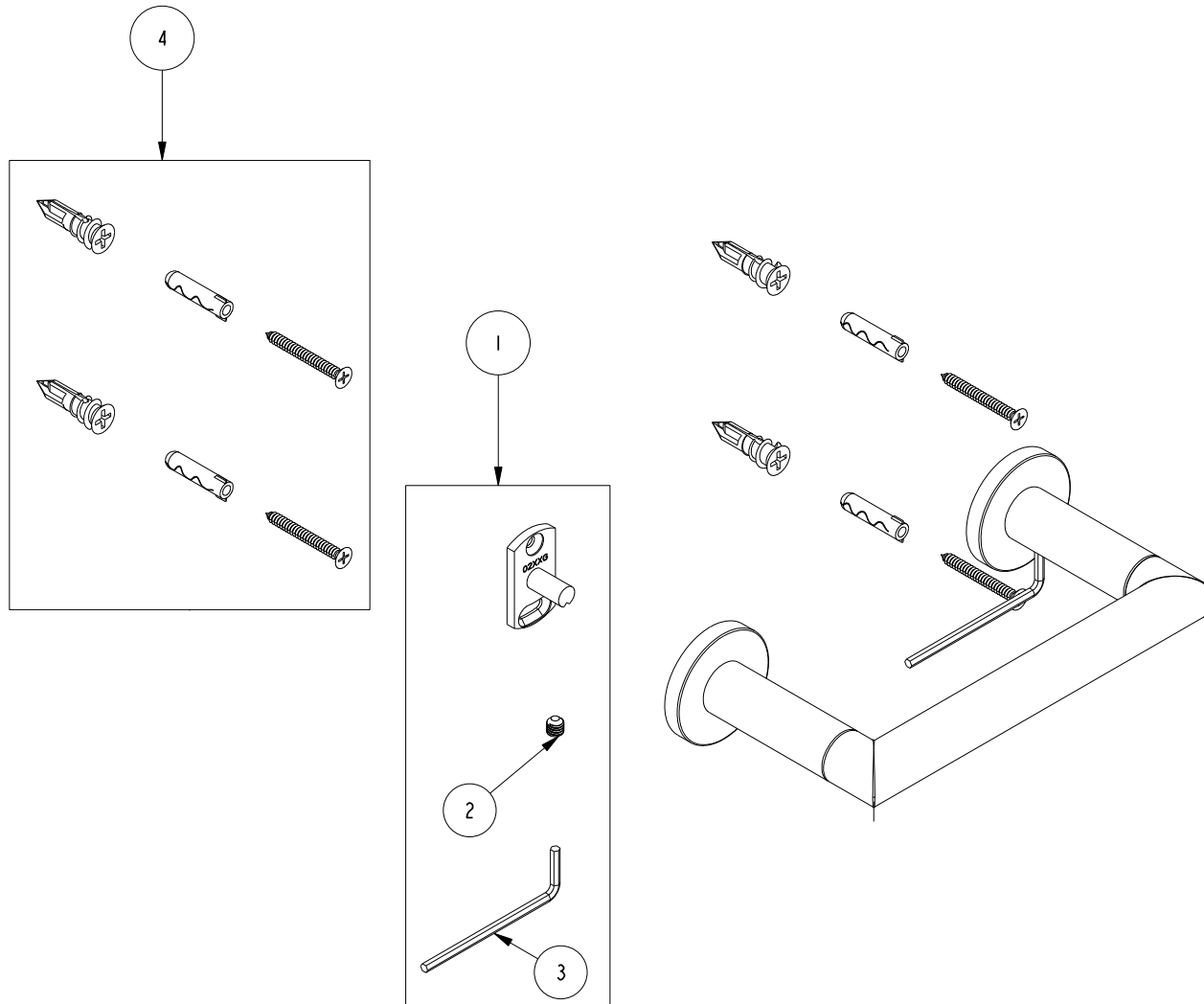


# REPLACEMENT PARTS

ITEM	PT/ASSY	SPECIFY FINISH	DESCRIPTION
1	10-354		WALL MOUNT BRACKET ASM
2	92031		SCRW, M6 X 1 X 6 SKT HD CUP PT SS
3	10615		HEX KEY, 3MM ALLOY STEEL
4	1-206		HARDWARE PACK



TOILET TISSUE HOLDER  
36-28

REV F EN-5022 06/12/25

**NEWPORT BRASS.**

t: 949.417.5207 | [www.newportbrass.com](http://www.newportbrass.com)