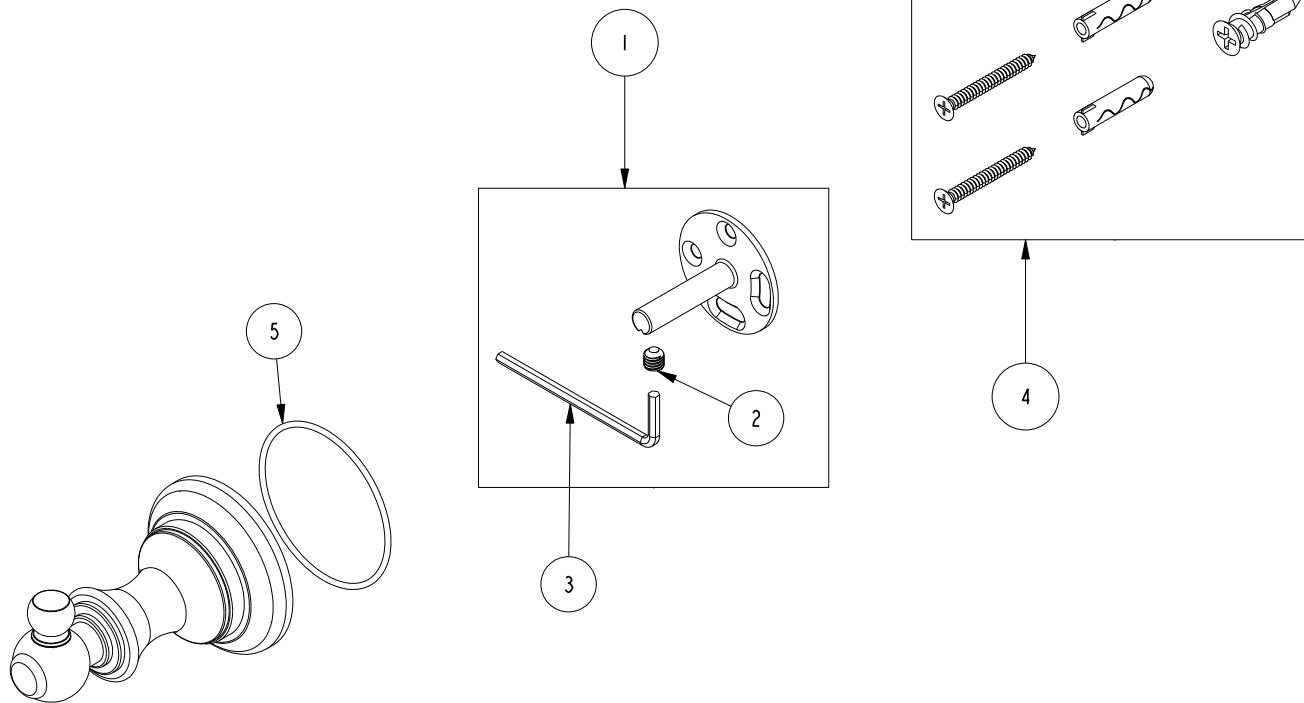


REPLACEMENT PARTS

ITEM	PT/ASSY	SPECIFY FINISH	DESCRIPTION
1	10-353		WALL MOUNT BRACKET ASM
2	92031		SCRW, M6 X 1 X 6 SKT HD CUP PT SS
3	10615		HEX KEY, 3MM ALLOY STEEL
4	1-206		HARDWARE PACK
5	91757		O-RING, #2-033, EPDM, 50 DURO



SINGLE ROBE HOOK
35-12

REV D EN-5024 6/16/25

NEWPORT BRASS.

t: 949.417.5207 | www.newportbrass.com