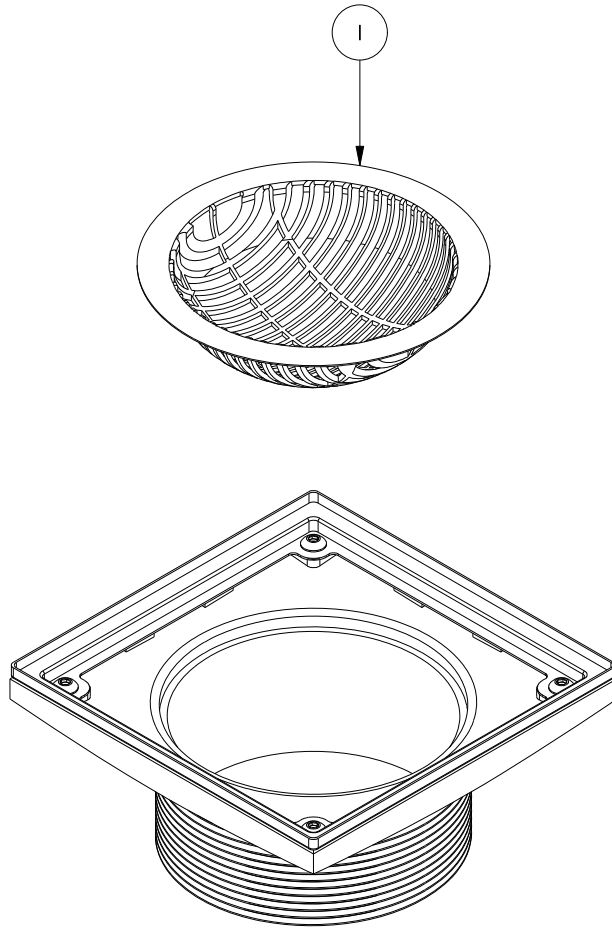


REPLACEMENT PARTS

ITEM	PT/ASSY	SPECIFY FINISH	DESCRIPTION
1	12803		4" DOME STRAINER



Shower Drain TThroat
277-02

REV K EN-4990 05/13/25

NEWPORT BRASS.

t: 949.417.5207 | www.newportbrass.com